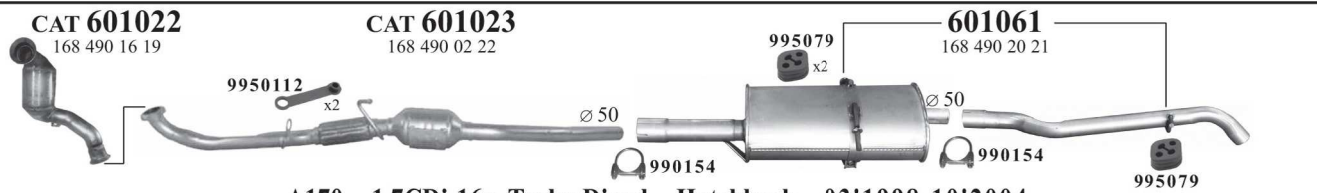


A-class '1997-'2004



A-class 1.4i, 1.6i, 1.9i Hatchback 07'1997-10'2004
A140 (1.4i-8v): Eng.166.940 1397cc 60kW-82hp Type W168.031, W168.131
A160 (1.6i-8v): Eng.166.960 1598cc 75kW-102hp Type W168.033, W168.133
A190 (1.9i-8v): Eng.166.990 1898cc 92kW-125hp Type W168.990
 SWB 2423 mm a) Excl.OBD (-07'2000), b) Incl.OBD (08'2000-) Excl. Avantgarde



A170 1.7CDi-16v Turbo Diesel Hatchback 03'1998-10'2004
 Eng.668.941 1698cc 44kW-60hp (-01'2002), Eng.668.940 1698cc 55kW-75hp (01'2002-) Type W168.006, W168.007 SWB 2423 mm Excl. Avantgarde



Sedan



Stationwagon

C-class '1997-'2001



C180&C200 1.8i, 2.0i Sedan, Stationwagon 03'1993-12'1996
C180 (1.8i-16v): Eng.111.920 1799cc 90kW-122hp Sedan Type W202.018, Stationwagon Type T202.078
C200 (2.0i-16v): Eng.111.941 1998cc 100kW-136hp Sedan Type W202.020, Stationwagon Type T202.080



C180 1.8i-16v Sedan, Stationwagon 01'1997-05'2000
 Eng.111.920/111.921 1799cc 90kW-122hp Sedan Type W202.018, Stationwagon Type T202.078 ch.No.A436536>, F483848>



C200&C220 2.0i, 2.2i Sedan, Stationwagon 10'1993-07'1997
C200 (2.0i-16v): Eng.111.941 1998cc 100kW-136hp Sedan Type W202.020, Stationwagon Type T202.080
C220 (2.2i-16v): Eng.111.961 2199cc 110kW-150hp Sedan Type W202.022 (04'1993-07'1996)



C200&C230 2.0i, 2.3i Sedan, Stationwagon 06'1996-02'2001
C200 (2.0i-16v): Eng.111.941 1998cc 100kW-136hp Sedan Type W202.020, Stationwagon Type T202.080
C230 (2.3i-16v): Eng.111.941 2295cc 110kW-150hp Sedan Type W202.023, Stationwagon Type T202.083



a) CAT 603022
202 490 07 19

b) CAT 603023
202 490 90 19

603056 — 202 490 35 15 — **603161**

995099 x2
990158
55
996047

C200&C230 2.0i, 2.3i Kompressor
Sedan, Stationwagon 08'1995-05'2000
C200 (2.0i-16v Kompressor): Eng.111.944 1988cc 141kW-192hp
Sedan Type W202.025, Stationwagon Type T202.080
C230 (2.3i-16v Kompressor): Eng.111.975 2295cc 142kW-193hp Sedan Type W202.024 a) -07'1996, b) 08'1996

N.A. a) CAT 603024 b) CAT 603025
202 490 03 19 202 490 18 19 202 490 26 19

603050 — 202 490 02 15 — **603160**

995099 x2
990154
50
996038

C200 2.0D-8v Diesel Sedan, Stationwagon 03'1993-12'1996
Eng.601.913 1997cc 55kW-75hp Sedan Type W202.120, Stationwagon Type T202.180 a) ch.No.>A158179, >F12443 b) ch.No.A158180>, F12444>

C-class '2002-'2008

Sedan **Stationwagon**

a) CAT 603122 d) CAT 603123
203 490 04 19 203 490 34 19

603156 — **603066** — **603166**
203 490 49 21

9950100 x2
990158
55
996047

C180&C200&C230 1.8i, 2.0i Kompressor Sedan, Stationwagon 03'2001-03'2008 Left hand drive
a) C180 (1.8i-16v Kompressor): Eng.111.951 1796cc 95kW-129hp (05'2002-03'2008) Sedan Type W203.046, Stationwagon Type S203.246
a) C200 (1.8i-16v Kompressor): Eng.271.940 1796cc 120kW-163hp (07'2002-04'2007) Sedan Type W203.042, Stationwagon Type S203.242
a) C200 (1.8CGi-16v Kompressor): Eng.271.942 1796cc 125kW-170hp (07'2003-03'2007) Sedan Type W203.043, Stationwagon Type S203.243
b) C200 (2.0i-16v Kompressor): Eng.111.955 1998cc 120kW-163hp (03'2001-05'2002) Sedan Type W203.045, Stationwagon Type S203.245
b) C230 (1.8i-16v): Eng.271.948 1796cc 141kW-192hp (02'2002-03'2007) Sedan Type W203.040, Stationwagon Type S203.240

a) CAT 603120 b) CAT 603121
203 490 75 19 203 490 17 19

603156 — **603066** — **603166**
203 490 49 21

9950100 x2
990158
55
996047

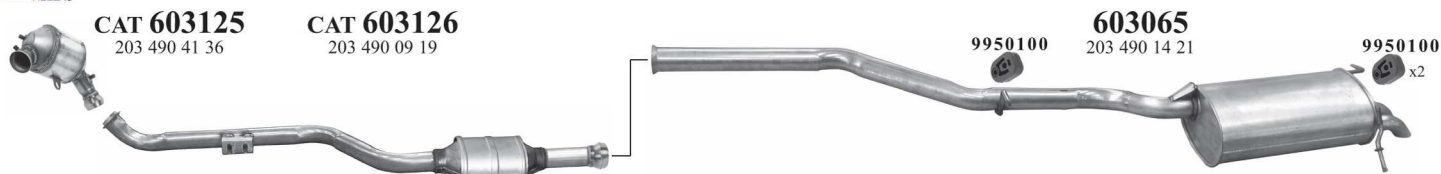
C180&C200&C230 1.8i, 2.0i Kompressor Sedan, Stationwagon 03'2001-03'2008 Right hand drive
a) C180 (1.8i-16v Kompressor): Eng.111.951 1796cc 95kW-129hp (05'2002-03'2008) Sedan Type W203.046, Stationwagon Type S203.246
a) C200 (1.8i-16v Kompressor): Eng.271.940 1796cc 120kW-163hp (07'2002-04'2007) Sedan Type W203.042, Stationwagon Type S203.242
a) C200 (1.8CGi-16v Kompressor): Eng.271.942 1796cc 125kW-170hp (07'2003-03'2007) Sedan Type W203.043, Stationwagon Type S203.243
b) C200 (2.0i-16v Kompressor): Eng.111.955 1998cc 120kW-163hp (03'2001-05'2002) Sedan Type W203.045, Stationwagon Type S203.245
b) C230 (1.8i-16v): Eng.271.948 1796cc 141kW-192hp (02'2002-03'2007) Sedan Type W203.040, Stationwagon Type S203.240

CAT 603124
203 490 24 19

603157 — **603067** — **603167**
203 490 23 21

9950100 x2
990154
50
996039

C180 2.0i-16v Sedan, Stationwagon 10'2000-07'2002
Eng.111.951 1998cc 95kW-129hp Sedan Type W203.035, Stationwagon Type S203.235



C200&C220 2.2CDi-16v Turbo Diesel Sedan, Stationwagon 09'2000-10'2007

C200: Sedan Type W203.004, W203.007 (-03'2007), Stationwagon Type S203.207 (03'2001-)

Eng.611.962 2148cc 85kW-116hp ch.No.>A598665, >F478193, >X831341 (-08'2003), Eng.646.962 2214cc 90kW-122hp ch.No.A598666>, F478194>, X831342> (08'2003-)

C220: Sedan Type W203.006, W203.008 (-03'2007), Stationwagon Type S203.206, S203.208 (03'2001-)

Eng.611.962 2148cc 105kW-143hp ch.No.>A598665, >F478193, >X831341 (-08'2003), Eng.646.963 2214cc 110kW-150hp ch.No.A598666>, F478194>, X831342> (08'2003-)



Coupe

CLK '1997-'2001



Cabrio



CLK 2.0i-16v Coupe, Cabrio 06'1997-07'2001

Eng.111.941 1998cc 100kW-136hp Coupe Type C208, Cabrio Type A208

CAT 603023
202 490 90 19

603056

208 490 02 21

605060

995099 x2



CLK 2.0i, 2.3i Kompressor Coupe, Cabrio 07'1997-05'2002

2.0i-16v Kompressor: Eng.111.944 1998cc 141kW-192hp, 2.3i-16v Kompressor: Eng.111.975 2295cc 142kW-193hp Coupe Type C208, Cabrio Type A208



E-class W124 '1993-'1995



E200 2.0D-8v Diesel Sedan 07'1993-05'1995

Eng.601.912 1997cc 55kW-75hp Type W124.12

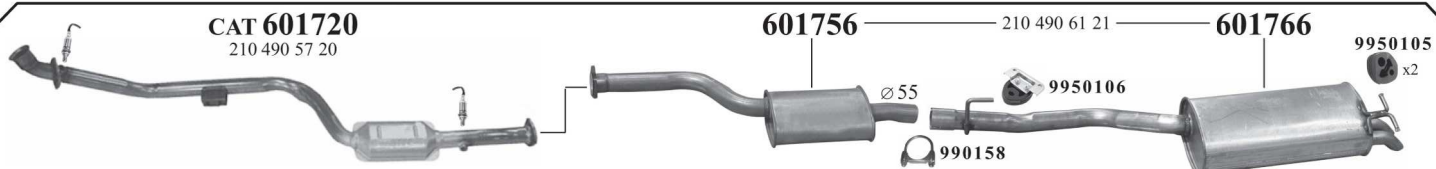


E-class W210 '1995-'2000



E200&E230 2.0i-16v Sedan 06'1995-08'2000

E200 (2.0i-16v): Eng.111.942 1997cc 100kW-136hp Type W210.035, E230 (2.3i-16v): Eng.111.970 2295cc 110kW-150hp Type W210.037 (-06'1997)



E200 2.0i-16v Kompressor Sedan 06'2000-03'2002

Eng.111.957 1998cc 120kW-163hp Type W210.048



CAT 601725
210 490 94 19

601755 — 210 490 12 21 — **601760**
9950105 x2

∅ 55 990158 9950106 990158

E200&E220&E250 2.0D, 2.2D, 2.5D Diesel Sedan 06'1995-06'1999

E200 (2.0D-8v): Eng.604.917 1997cc 55kW-75hp, E220 (2.2D-8v): Eng.604.912 2155cc 70kW-95hp, E250 (2.5D-10v): Eng.605.911 2497cc 83kW-113hp Type W210

a) **CAT 601727** 210 490 77 14 **CAT 601726** 210 490 01 47 **601765** 210 490 38 21 9950105 x2

b) **CAT 601728** 210 490 09 36

E200 2.2CDi-16v Turbo Diesel Sedan 06'1998-03'2002
Type W210.007 Eng.OM646.952 2151cc 75kW-102hp
a) ch.No.>B19491 (-06'1999), b) ch.No.B19492>, X070637> (06'1999-)
b) Eng.OM646.951 2151cc 85kW-116hp ch.No.B19492>, X070637> (06'1999-)
Type W210.006 Eng.611.960 2148cc 92kW-125hp, Eng.611.961 2148cc 105kW-143hp a) ch.No.>B19491 (-06'1999), b) ch.No.B19492>, X070637> (06'1999-)

CAT 607021 163 490 47 14 **CAT 607020** 163 490 53 14 **607050** 163 490 47 01 **N.A.** 163 490 08 27

∅ 67 990170 ∅ 63.5

ML270 2.7CDi-20v Turbo Diesel SUV 12'1999-07'2005
Eng.612.963 2685cc 120kW-163hp Type W163.113

190 W201 '1982-'1995

a) N.A. 201 490 06 20 b) N.A. 201 490 41 19 **601451** 201 490 27 15 995052 ∅ 48 **601461** 201 490 26 15 995037 995003 x2

c) **CAT 601422** 201 490 95 19

996027 990152

190E 1.8, 2.0 Sedan 01'1985-07'1993
1.8-8v: Eng.102.910 1797cc 80kW-109hp Type W201.018 a) 09'1988-08'1992 c) 09'1992-2.0-8v: Eng.102.961 1997cc 83kW-113hp Type W201.024 a) ch.No.>A528957, >F651792 (-07'1989) c) ch.No.A528958>, F651793> (08'1989-08'1991), c) Eng.102.962 1997cc 90kW-122hp (09'1991-07'1993)

CAT 601423 201 490 17 20 **601450** 201 490 31 15 995052 ∅ 48 **601460** 201 490 24 15 995037 995003 x2

996027 990152

190 2.0-8v Sedan 08'1989-08'1993
Eng.102.924 1996cc 75/77kW-102/105hp Type W201.022 ch.No.A528598>, F651793> (08'1989-)

a) **601410** 201 490 29 19 **601450** 201 490 31 15 995052 ∅ 48 **601460** 201 490 24 15 995037 995003 x2

b) **CAT 601420** 201 490 23 20

996027 990152

190 2.0D-8v Diesel Sedan 08'1983-07'1993
Eng.601.911 1997cc 53kW-72hp Type W201.122 a) 08'1983- b) 08'1991-

N.A. 201 490 06 20 **601451** 201 490 27 15 995052 ∅ 48 **601466** 201 490 07 01 995037 995003 x2

996027 990152

190E 2.3-8v Sedan 07'1985-02'1991
Eng.102.985 2299cc 97/98/100kW-132/133/136hp Type W201.028 ch.No.A6136174>A611777, F025325>F815882

a) CAT 601422 201 490 95 19
b) CAT 601424 201 490 97 19

601451
201 490 27 15

601466
201 490 07 01

995037
995003
x2



190E 2.3-8v Sedan 07'1985-07'1993

Eng.102.985 2299cc 97/98/100kW-132/133/136hp Type W201.028

a) ch.No.A528958>A611777, F651793>F815882 (-02'1991), b) ch.No.>A582957, >F651792 (08'1991-07'1993)

a) 601415
201 490 51 19

601450
201 490 31 15

601460
201 490 24 15

995037
995003
x2



190 2.5D-10v 5cyl. Diesel Sedan 06'1985-07'1993

Eng.602.911 2497cc 66/69kW-90/94hp Type W201.126 a) 06'1985- b) 08'1991-



601512
124 490 08 19

Sedan

W124 '1985-'1993



Coupe

a) 601550 124 490 02 15
b) 601551 124 490 19 15

601560
124 490 09 15

995037
995003
x2



200&200E&200CE&230E&230CE 2.0, 2.3
Sedan, Coupe 01'1985-05'1993

2.0-8v :Eng.102.922 1997cc 77/80kW-105/109hp Sedan 200 Type W124.020 (01'1985-10'1992)

2.0-8v: Eng.102.963 1997cc 87kW-118hp Sedan 200E Type W124.021 (09'1987-10'1992), Coupe 200CE Type C124.021 (08'1989-05'1993)

2.3-8v: Eng.102.982 2299cc 97kW-132hp Sedan 230E Type W124.023 (09'1987-10'1992), Coupe 230CE Type C124.023 (08'1989-05'1993)

601510
124 490 05 19

601550
124 490 02 15

601560
124 490 09 15

995037
995003
x2



200 2.0D-8v Diesel Sedan 01'1985-07'1993

Eng.601.912 1997cc 55kW-75hp Type W124.120 a) 01'1985- b) 09'1991-

a) 601515
124 490 20 19

601550
124 490 02 15

601560
124 490 09 15

995037
995003
x2



250 2.5D-10v 5cyl. Diesel Sedan 01'1985-07'1993

Eng.605.912 1997cc 66/69kW-90/94hp Type W124.125 a) 01'1985- b) 02'1985-



Bus

608410
601 490 39 19



Shassis cab

608440
601 492 18 07



Van

608473
601 490 22 21



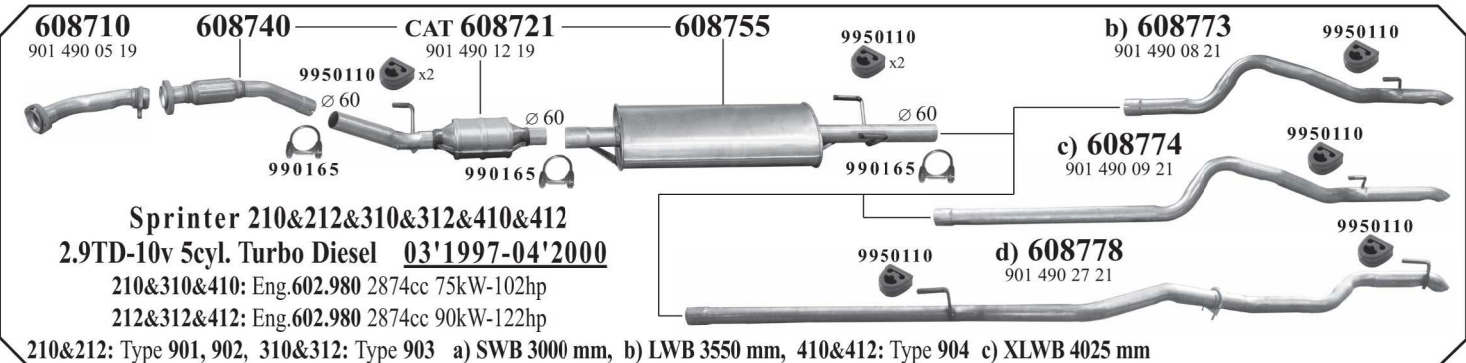
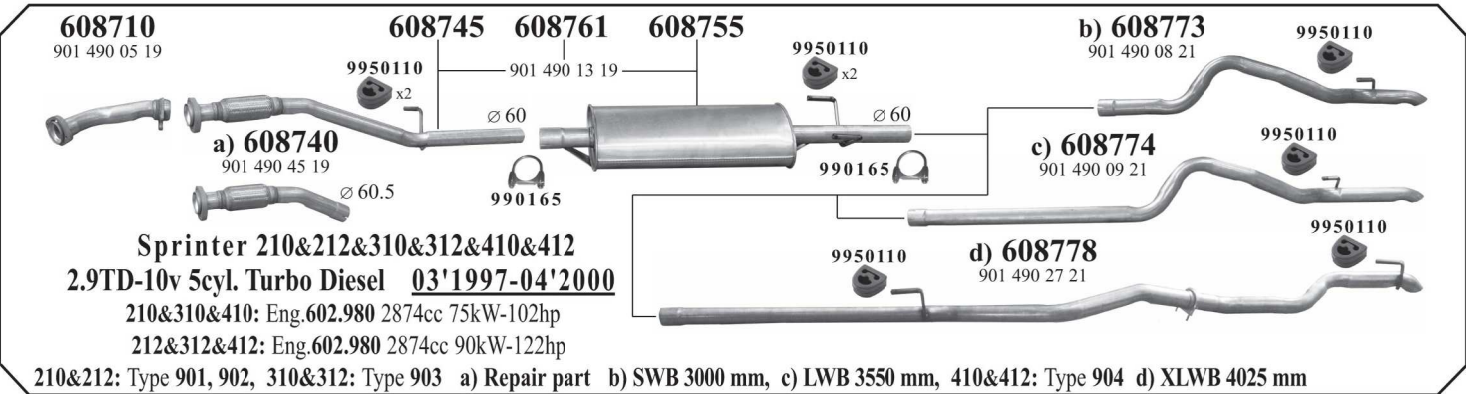
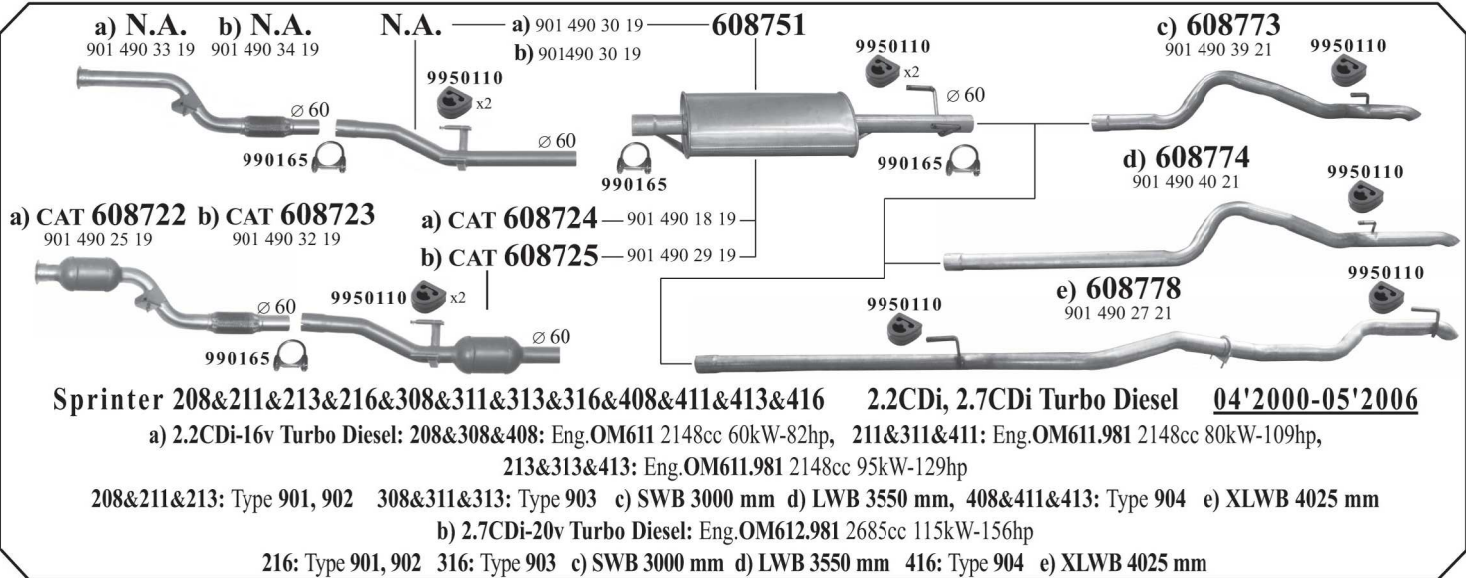
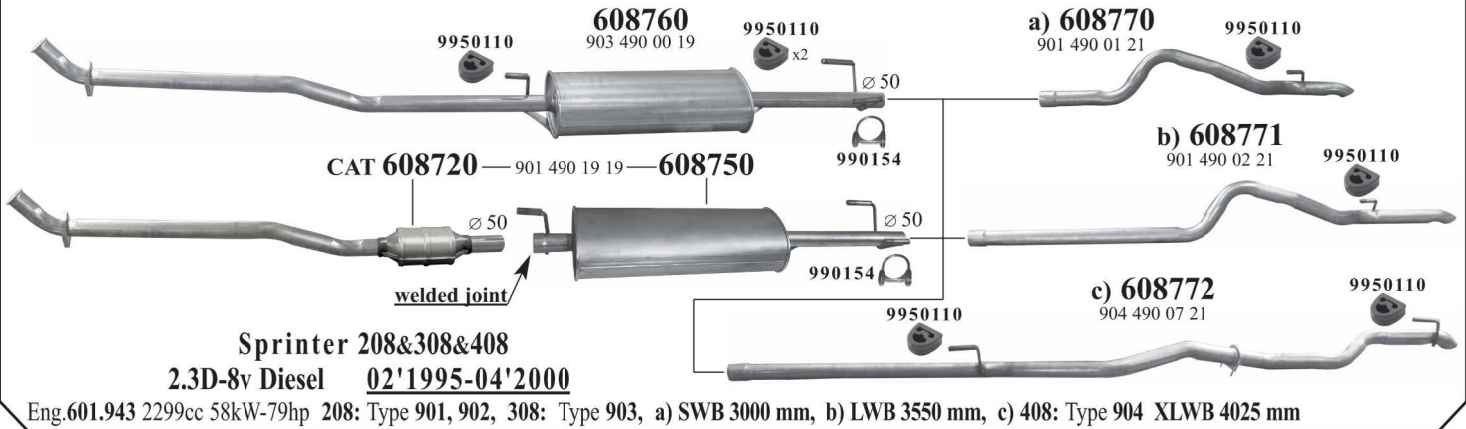
T1 2.3D, 2.9D Diesel Chassis cab, Bus, Van 09'1990-04'1995

207&208&307&308 (2.3D-8v): Eng.601.940 2299cc 58kW-79hp Type 601 Side exit pipe ch.No.P000001>

209&309&310&410 (2.9D-8v): Eng.602.940 2874cc 70kW-95hp Type 602 Side exit pipe ch.No.P000001>



Sprinter '1995-'2006



V-class '1996-'2003



V200&V220 2.2CDi-16v Turbo Diesel MPV 03'1999-09'2003
 200: Eng.611.980 2151cc 75kW-102hp, 220: Eng.611.980 2151cc 90kW-122hp Type W638.294

CAT 609021
 638 490 19 19



V230 2.3TD-8v Turbo Diesel MPV 09'1996-04'2000
 Eng.OM601LA 2299cc 72kW-98hp Type W638.274

Vaneo '2002-'2006



Vaneo 1.6i, 1.9i MPV 02'2002-06'2006
 1.6i-8v: Eng.166.961 1598cc 60/75kW-82/102hp, 1.9i-8v: Eng.166.991 1898cc 92kW-125hp Type 414

CAT 601022
 168 490 04 10

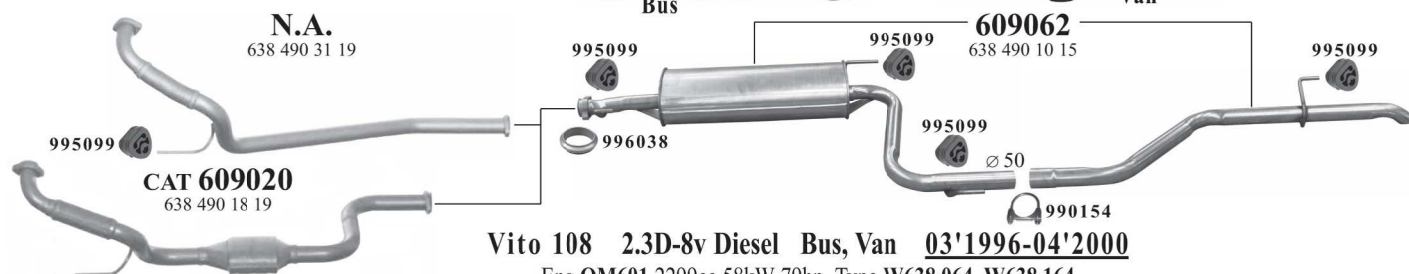
CAT 601025
 414 490 05 14

601065
 414 490 07 21



Vaneo 1.7CDi-16v Turbo Diesel MPV 05'2002-06'2006 Eng.668.914 1698cc 55/68kW-75/91hp Type 414.700

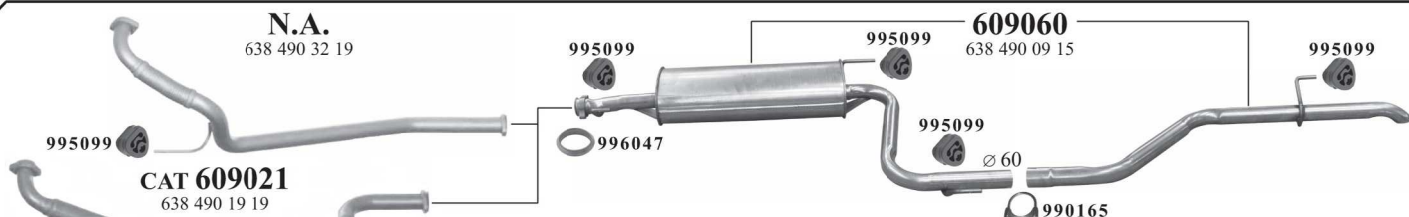
Vito W638 '1996-'2003



Vito 108 2.3D-8v Diesel Bus, Van 03'1996-04'2000
 Eng.OM601 2299cc 58kW-79hp Type W638.064, W638.164

N.A. 638 490 32 19

609060 638 490 09 15



Vito 110 2.3TD-8v Turbo Diesel Bus, Van 03'1996-04'2000
 Eng.OM601LA 2299cc 72kW-98hp Type W638.074, W638.174



N.A. — 638 490 43 19 — **CAT 609022**

996048 995099 x2

995099 990165

609065 638 490 13 15

995099

Vito 108&110&112 2.2CDi-16v Turbo Diesel Bus, Van 03'1999-09'2003 990165

108: Eng.611.980 2151cc 60kW-82hp, 110: Eng.611.980 2151cc 75kW-102hp, 112: Eng.611.980 2151cc 90kW-122hp Type W638.094, W638.194

Vito W639 '2003-2010

Bus **Van**

a) **CAT 609023** — 639 490 00 81 — a) **CAT 609024**

b) **CAT 609025** — 639 490 02 81 — b) **CAT 609026**

9950107 609050 639 490 26 81 990165 9950107

9950107 609070 639 490 33 81 9950107

Vito 109&111&115 2.2CDi-16v Turbo Diesel Van, Bus 09'2003- 109: Eng.OM646.983 2148cc 65kW-88hp

111: Eng.OM646.982 2148cc 80kW-109hp, 115: Eng.OM646.982 2148cc 110kW-150hp SWB 3200 mm Type 639.601, 639.701, 639.711 a) Euro 3, b) Euro 4

Viano '2003-2010

a) **CAT 609023** — 639 490 00 81 — a) **CAT 609024**

b) **CAT 609025** — 639 490 02 81 — b) **CAT 609026**

9950107 609050 639 490 26 81 990165 9950107

9950107 609070 639 490 33 81 9950107

Viano 2.2CDi-16v Turbo Diesel Bus 09'2003- Eng.OM646.983 2148cc 85kW-116hp

Eng.OM646.982 2148cc 80kW-109hp, Eng.OM646.982 2148cc 110kW-150hp SWB 3200 mm Type 639.811, 639.813 a) Euro 3, b) Euro 4